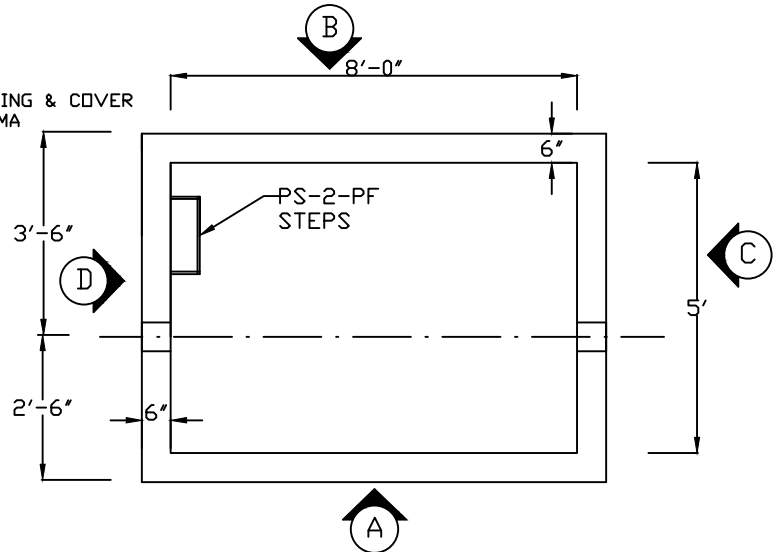


PLAN-TOP SLAB



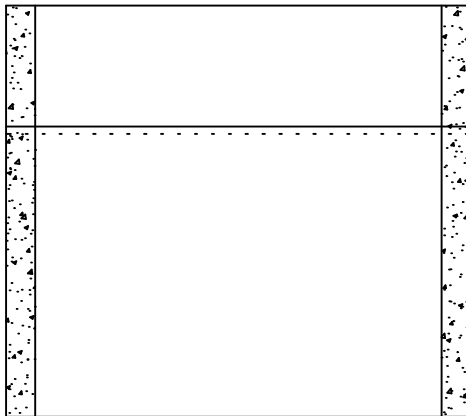
PLAN-STRUCTURE

REBAR PLACEMENT

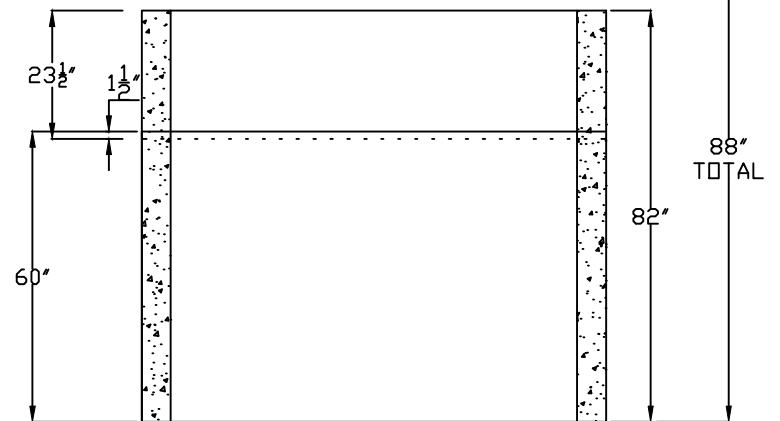
- #4 @ 12" C/C EA. WAY WALLS
- #5 @ 6" C/C EA. WAY TOP SLAB
- #5 @ 12" C/C EA. WAY BOT SLAB



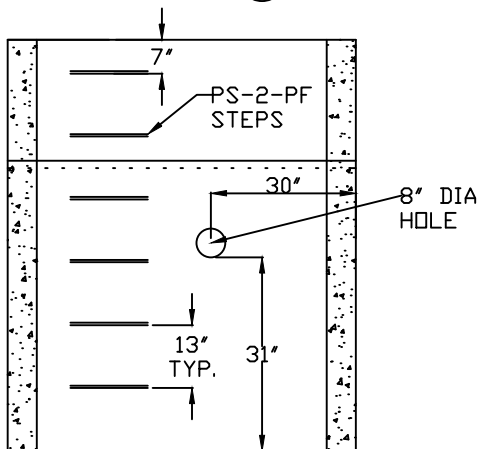
ELEVATION-TOP SLAB



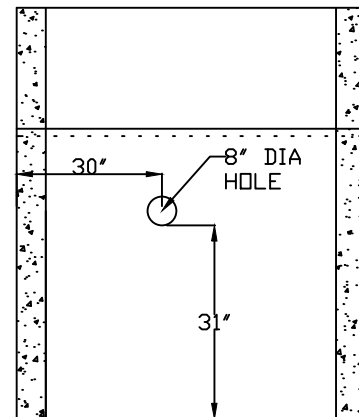
ELEVATION



ELEVATION



ELEVATION



ELEVATION

WT. TOP SLAB 3915#
 WT. TOP SECT. 3975#
 WT. BOT SECT. 10150#