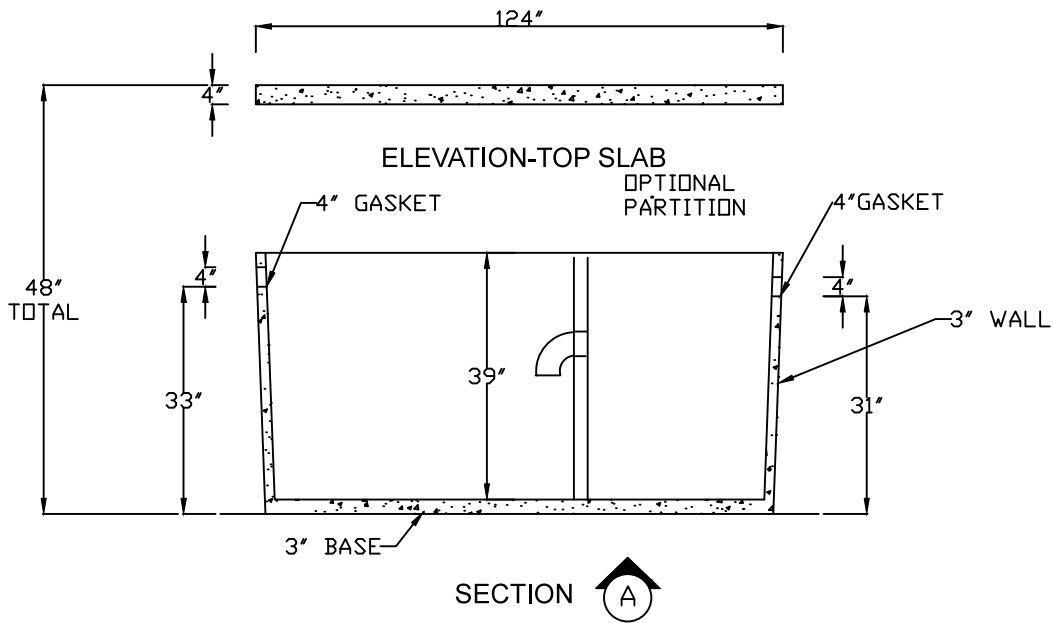
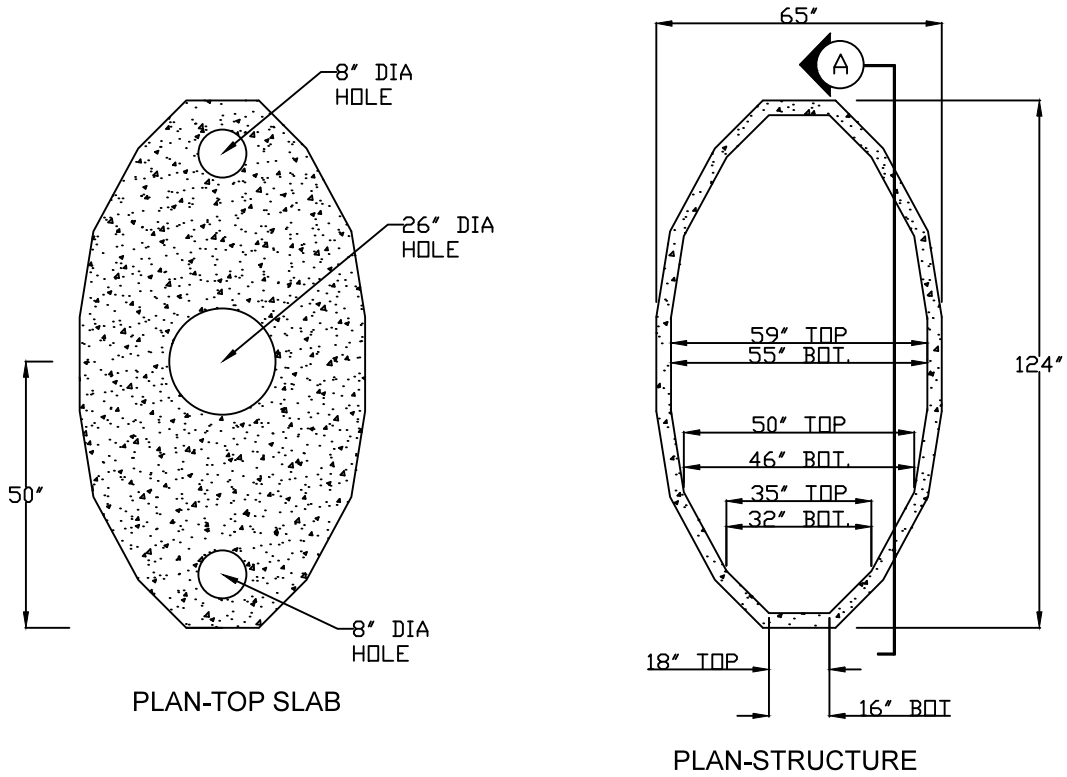


1000 GAL SHALLOW SEPTIC TANK

1&2 COMP



DIG HOLE SIZE= 11'-7" X 6'-4"

REBAR PLACEMENT
 #5 @ 6" C/C EA. WAY TOP SLAB
 #3 BAR AROUND TOP
 6X6X10X10 WIRE, BOTTOM AND SIDES