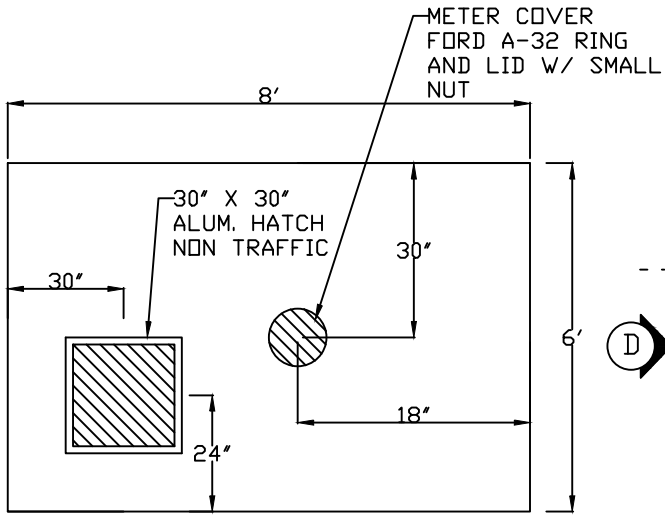
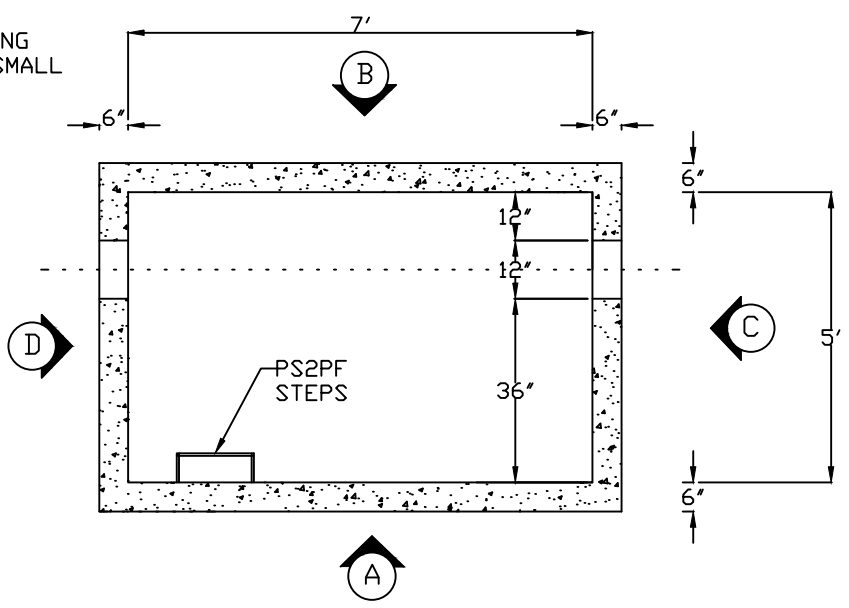


CONTRACTOR

PROJECT BACKFLOW LAWRENCE, KANSAS



PLAN-TOP SLAB



PLAN-STRUCTURE

REBAR PLACEMENT

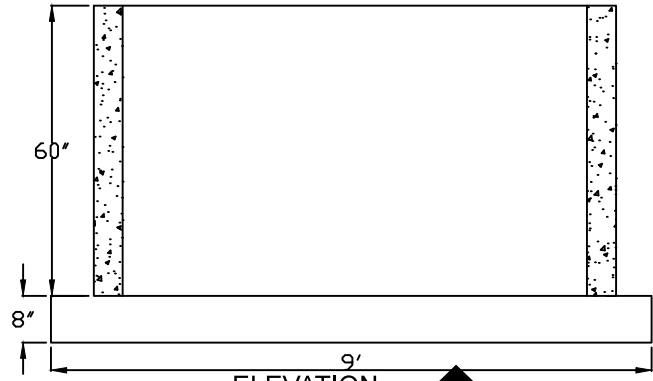
- #4 @ 12" C/C EA. WAY WALLS
- #5 @ 6" C/C EA. WAY TOP SLAB
- #4 @ 6" C/C EA. WAY BOT SLAB



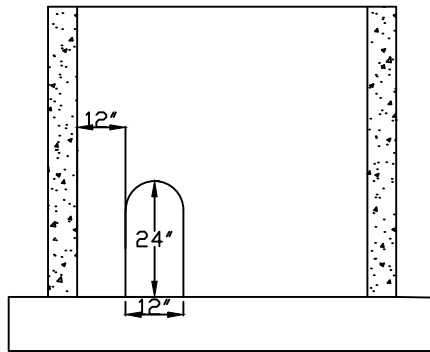
ELEVATION-TOP SLAB



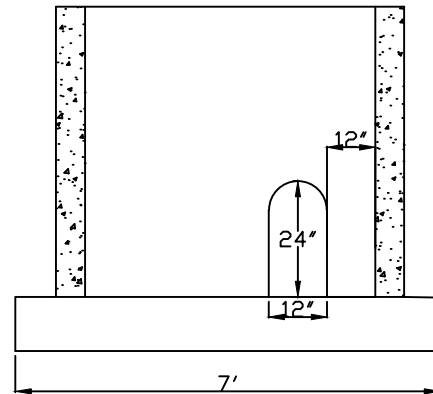
ELEVATION



ELEVATION



ELEVATION



ELEVATION



WT. TOP SLAB 4050#
 WT. STRUCTURE 19635#