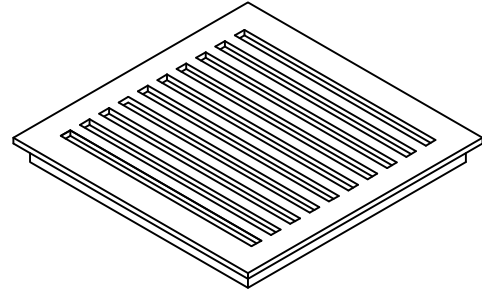
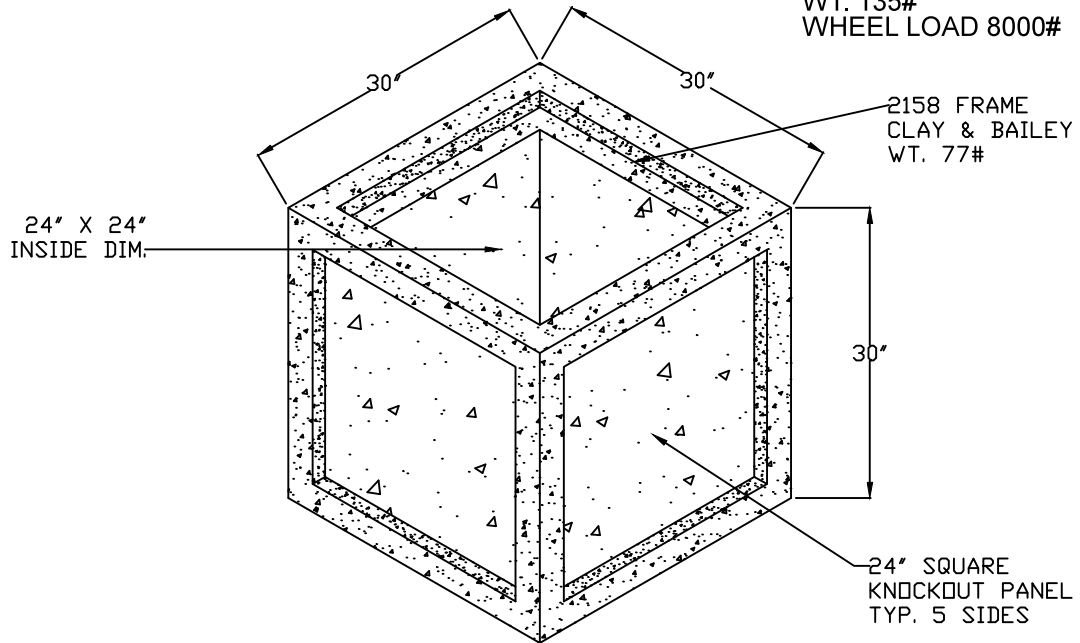


DROP BOX



2158BG GRATE
CLAY & BAILEY
WT. 135#
WHEEL LOAD 8000#



3030 BODY
WT. APPROX.
750#

REBAR PLACEMENT
REINFORCED WITH 6X6-10/10 WWF.
WITH #3 REBARS AROUND TOP AND BOTTOM
BEAMS AND VERTICAL IN CORNERS

28 DAY CONCRETE COMPRESSIVE
STRENGTH = 4000 PSI