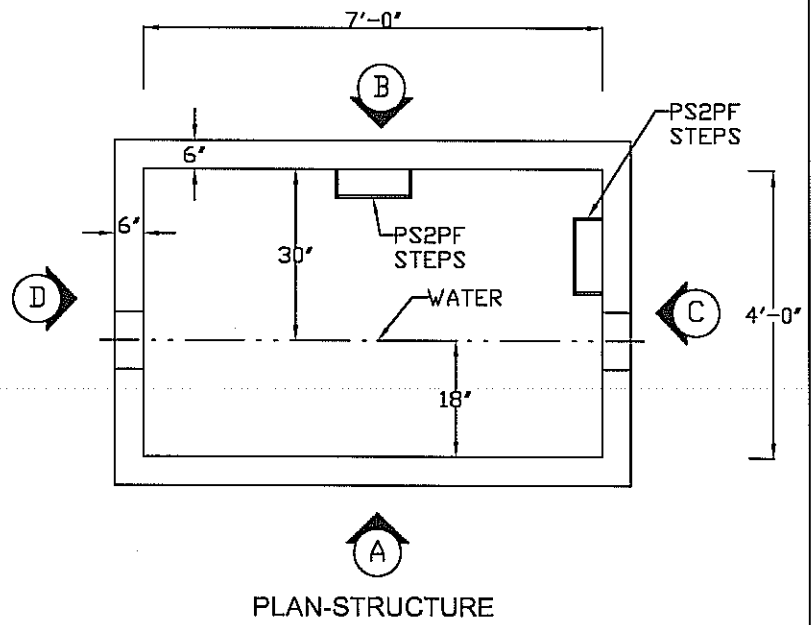
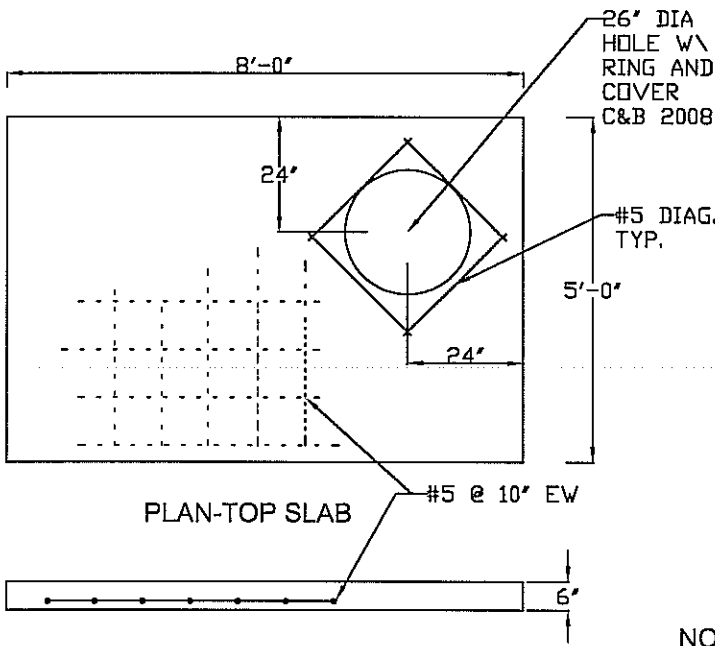
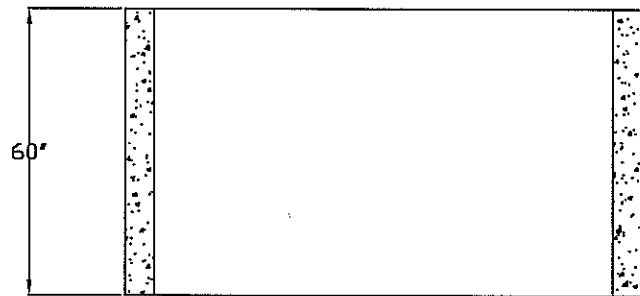
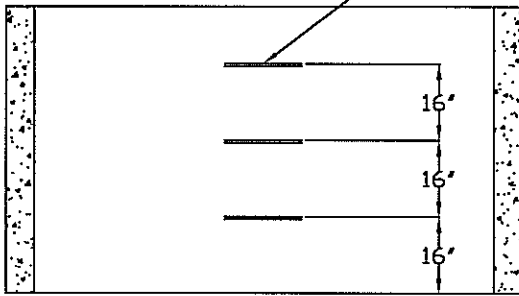


JO. CO.

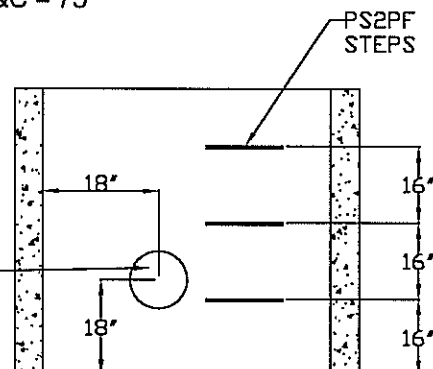
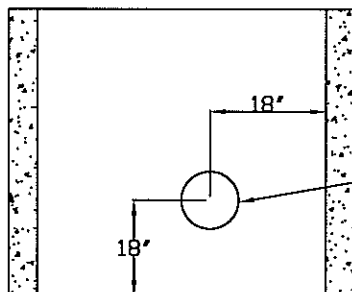
3" BACKFLOW



NOTE; OWNER OR CONTRACTOR MAY USE ADJ. RING OVER SLAB TO ALLOW GRASS TO GROW OVER SLAB.



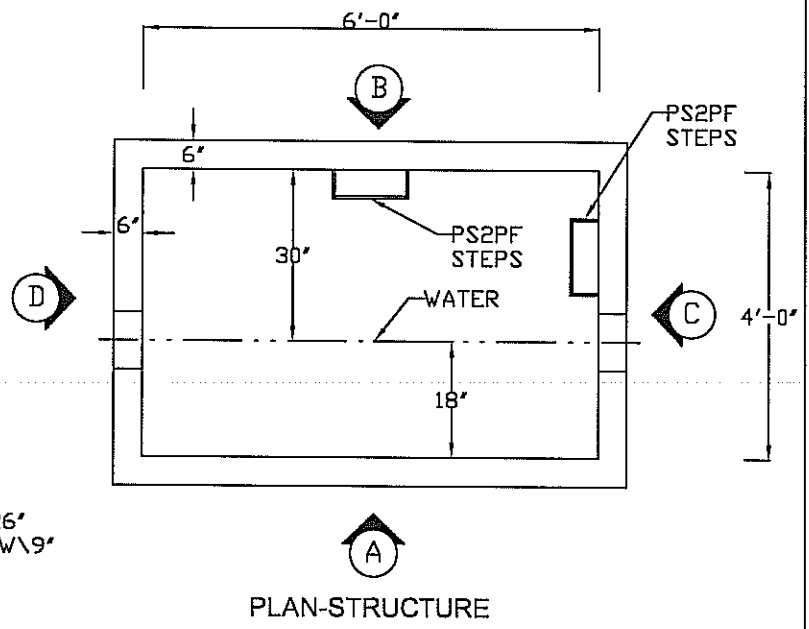
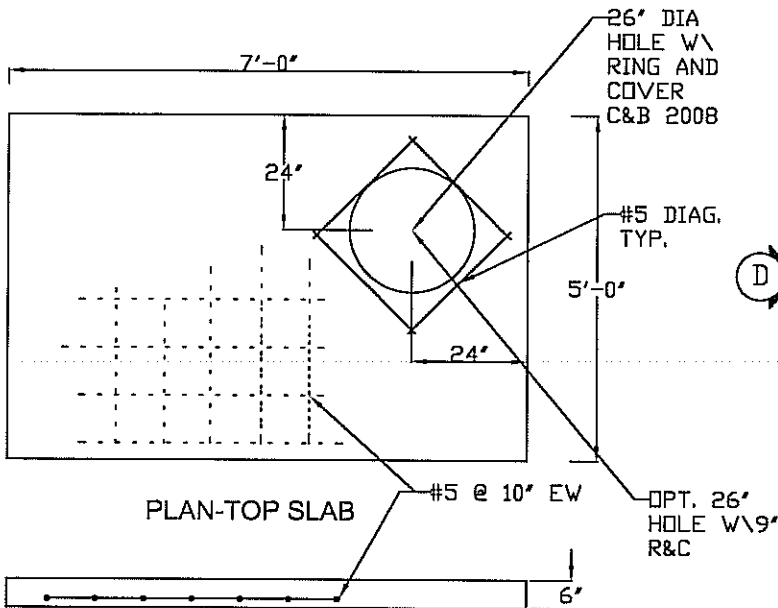
WT. TOP SLAB 2900#
 WT. STRUCTURE 8700#
 TOTAL HEIGHT 60" + 6" + 9" R&C = 75"



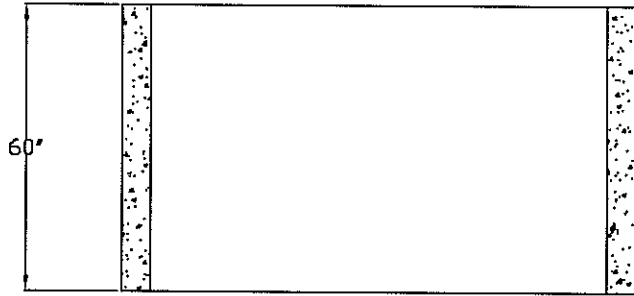
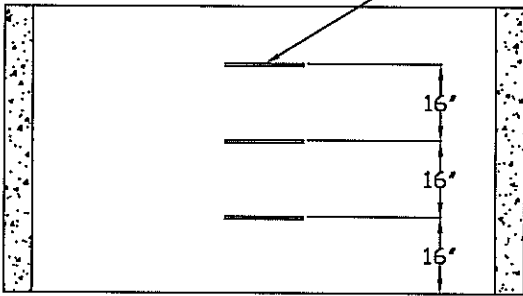
REBAR PLACEMENT
 #5 @ 10" C/C EA. WAY WALLS
 #5 @ 10" C/C EA. WAY TOP SLAB

JO. CO.

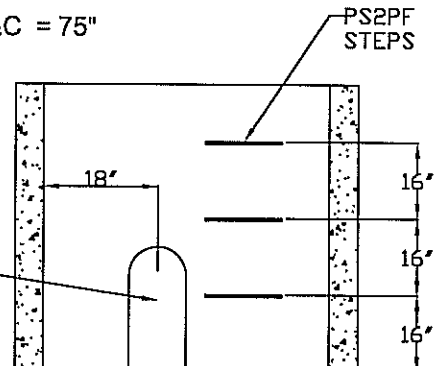
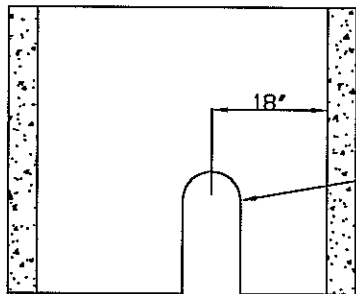
4" BACKFLOW



NOTE; OWNER OR CONTRACTOR MAY USE ADJ. RING OVER SLAB TO ALLOW GRASS TO GROW OVER SLAB.



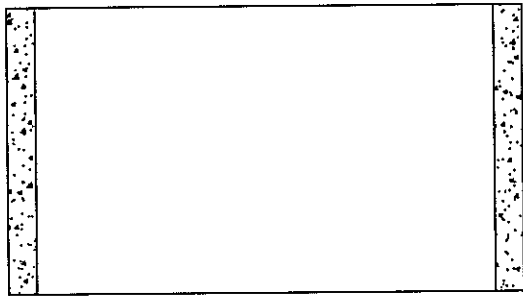
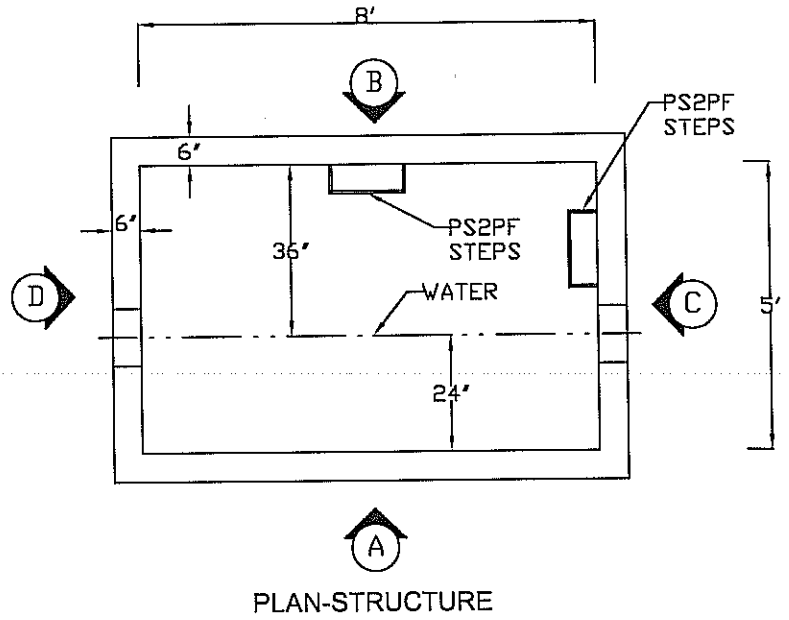
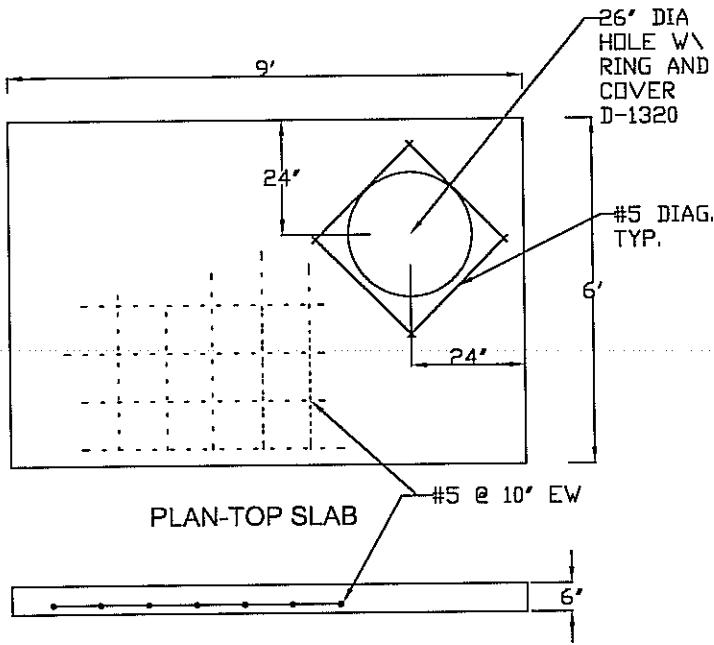
WT. TOP SLAB 2900#
 WT. STRUCTURE 8700#
 TOTAL HEIGHT 60" + 6" + 9" R&C = 75"



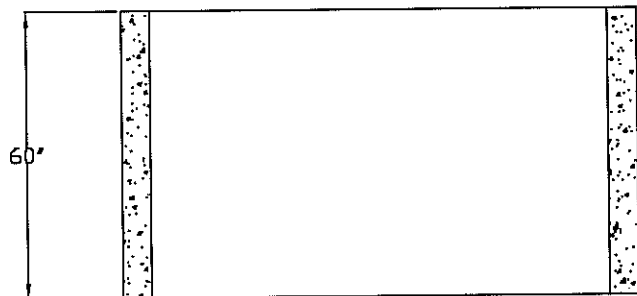
REBAR PLACEMENT
 #5 @ 10" C/C EA. WAY WALLS
 #5 @ 10" C/C EA. WAY TOP SLAB

JO. CO.

6" BACKFLOW

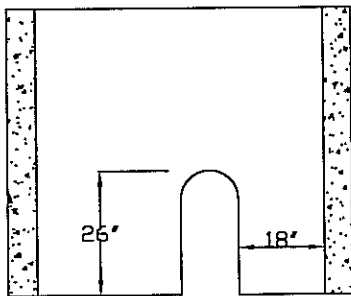


ELEVATION B

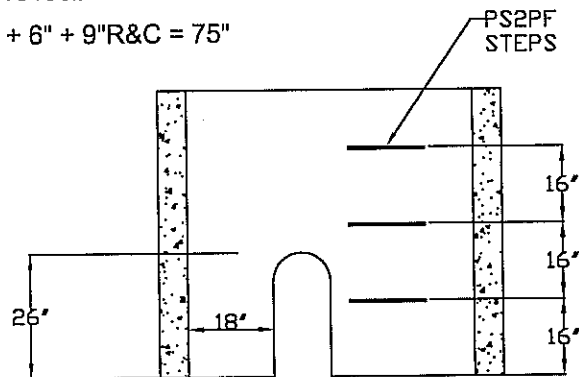


ELEVATION A

WT. TOP SLAB 3915#
 WT. STRUCTURE 10150#
 TOTAL HEIGHT 60" + 6" + 9"R&C = 75"



ELEVATION D

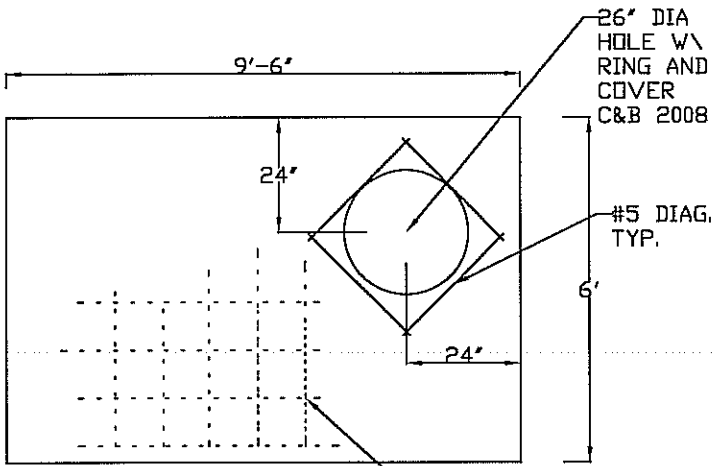


ELEVATION C

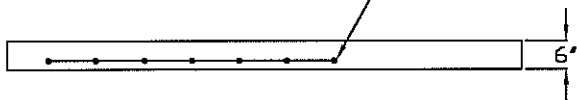
REBAR PLACEMENT
 #5 @ 10" C/C EA. WAY WALLS
 #5 @ 10" C/C EA. WAY TOP SLAB

JO.CO.

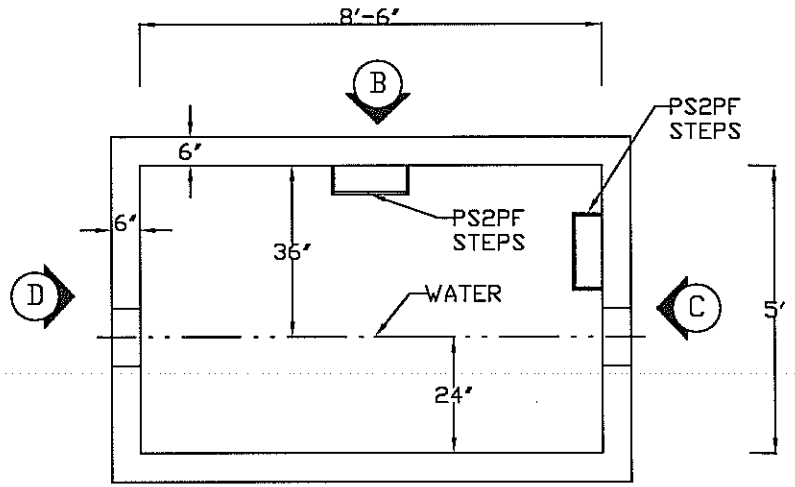
8" BACKFLOW



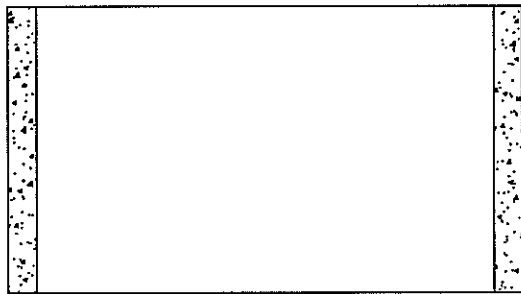
PLAN-TOP SLAB



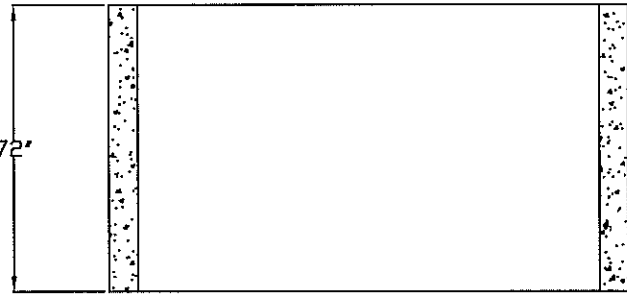
ELEVATION-TOP SLAB



PLAN-STRUCTURE



ELEVATION (B)

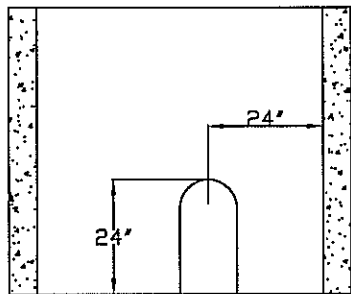


ELEVATION (A)

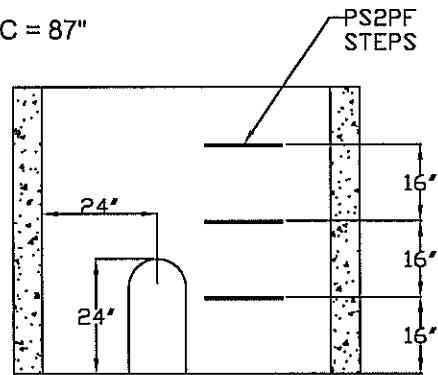
WT. TOP SLAB 4785#

WT. STRUCTURE 12615#

TOTAL HEIGHT 72" + 6" + 9"R&C = 87"



ELEVATION (D)

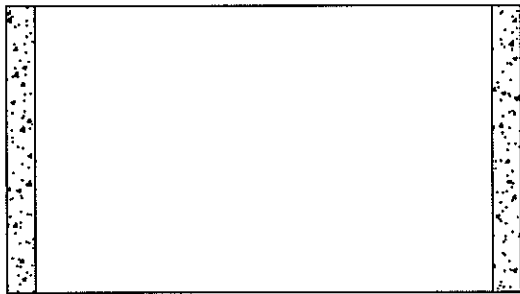
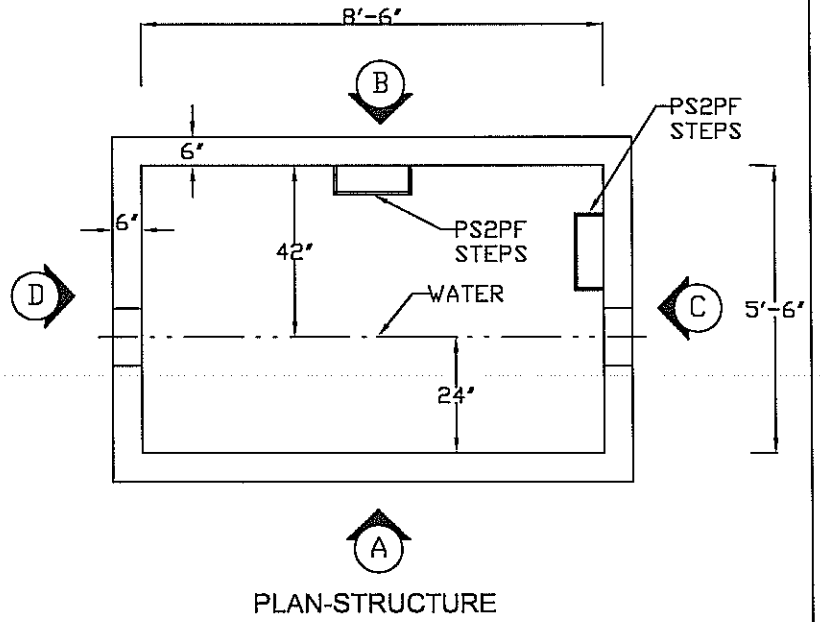
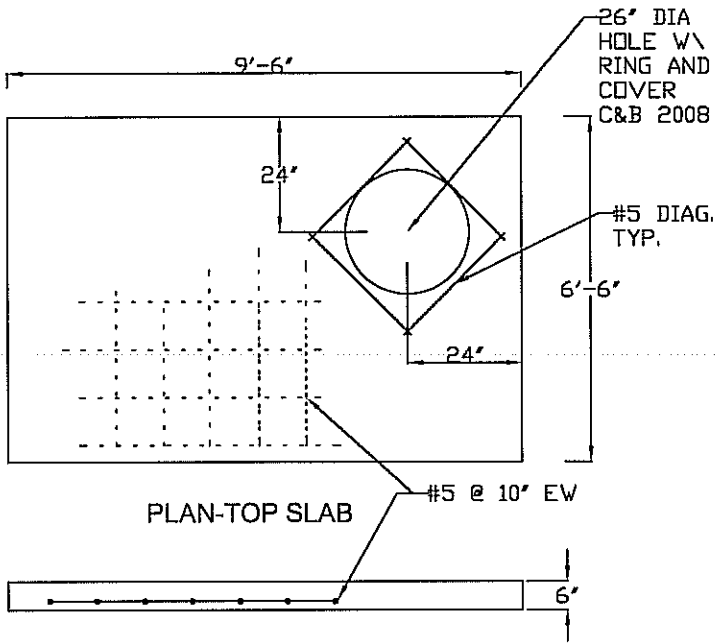


ELEVATION (C)

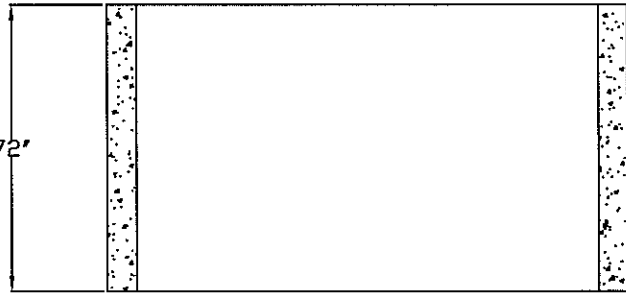
REBAR PLACEMENT
 #5 @ 10" C/C EA. WAY WALLS
 #5 @ 10" C/C EA. WAY TOP SLAB

JO. CO.

10" BACKFLOW

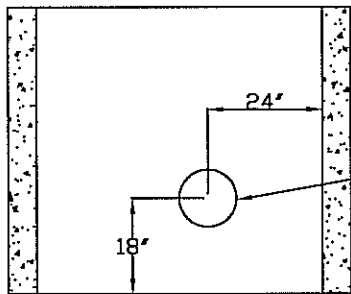



ELEVATION  B

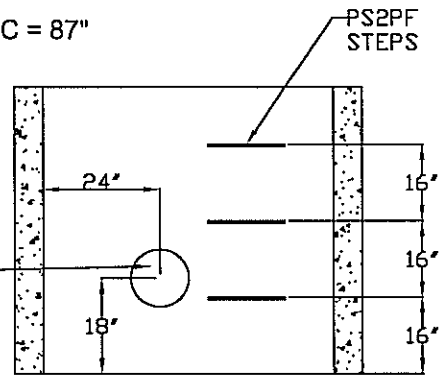



ELEVATION  A

WT. TOP SLAB 4477#
 WT. STRUCTURE 13050#
 TOTAL HEIGHT 72" + 6" + 9"R&C = 87"



ELEVATION  D



ELEVATION  C

REBAR PLACEMENT
 #5 @ 10" C/C EA. WAY WALLS
 #5 @ 10" C/C EA. WAY TOP SLAB