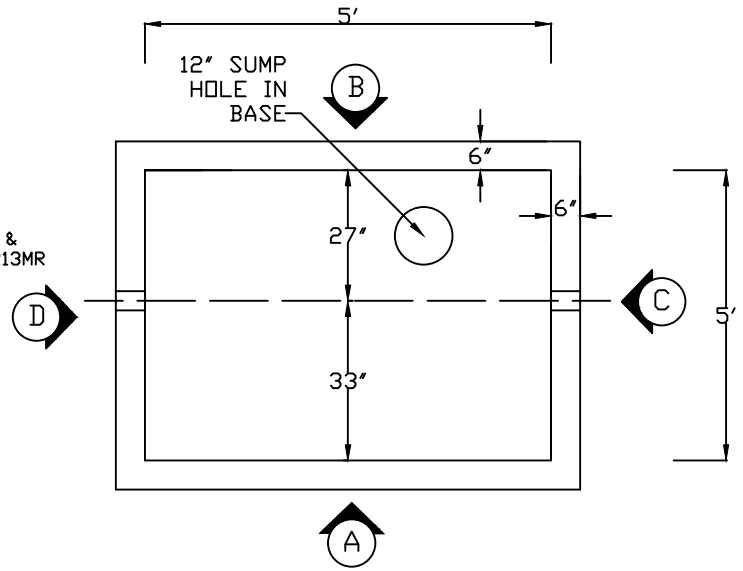


PLAN-TOP SLAB

REBAR PLACEMENT

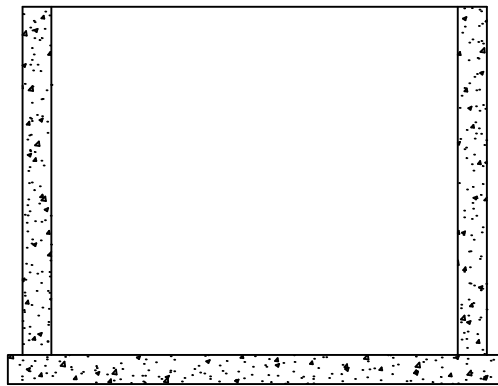
- #4 @ 10" C/C EA. WAY WALLS
- #4 @ 10" C/C EA. WAY TOP SLAB
- #4 @ 10" C/C EA. WAY BOT SLAB



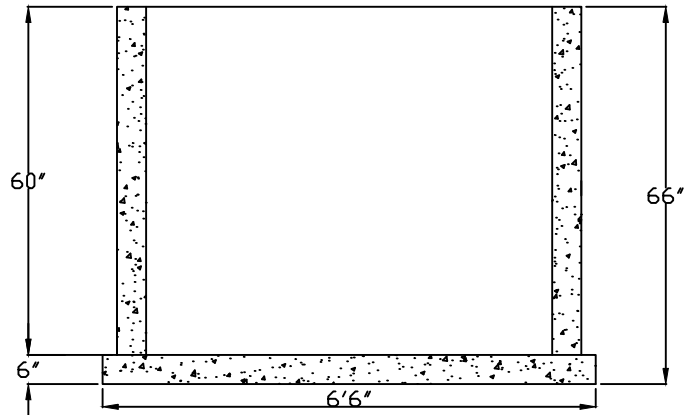
PLAN-STRUCTURE



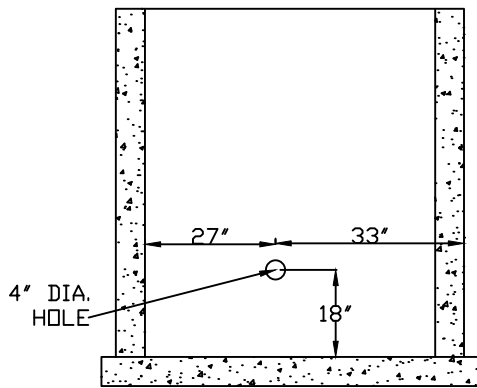
ELEVATION-TOP SLAB



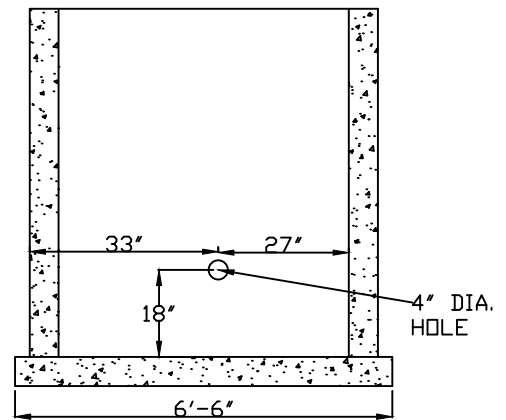
ELEVATION



ELEVATION



ELEVATION



ELEVATION

WT. TOP SLAB 4275#

WT.WALL. WBASE 12080#