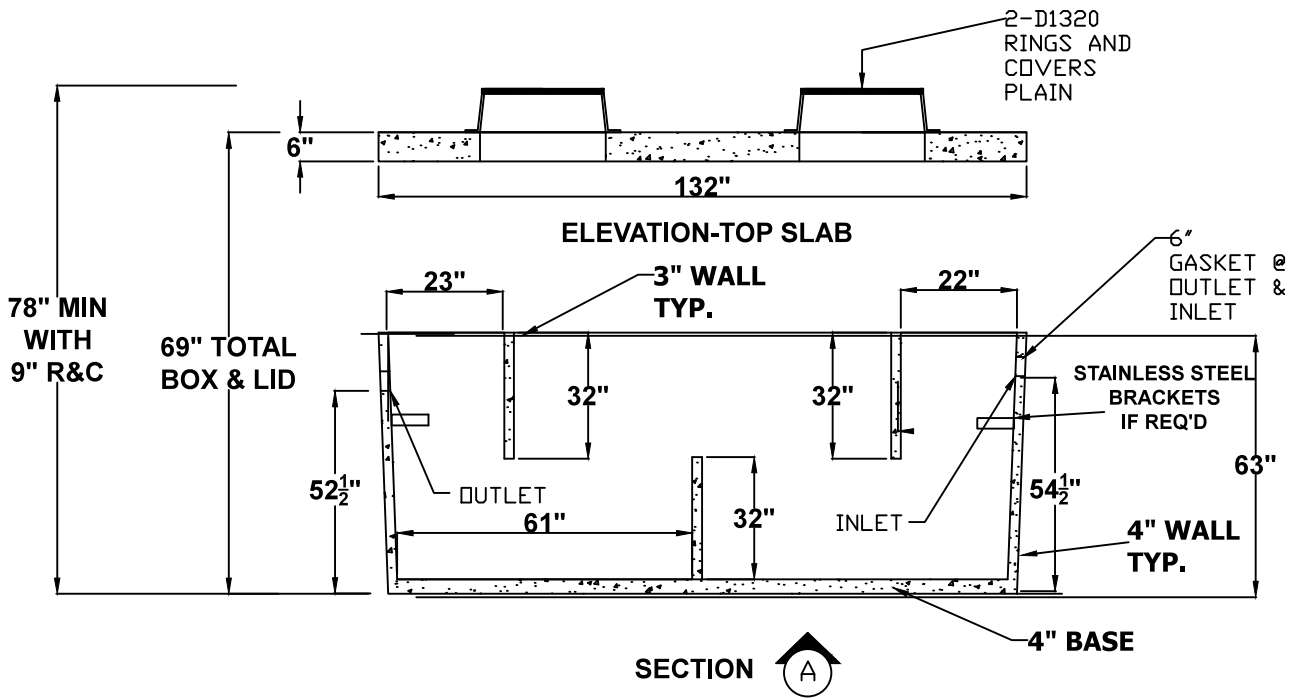
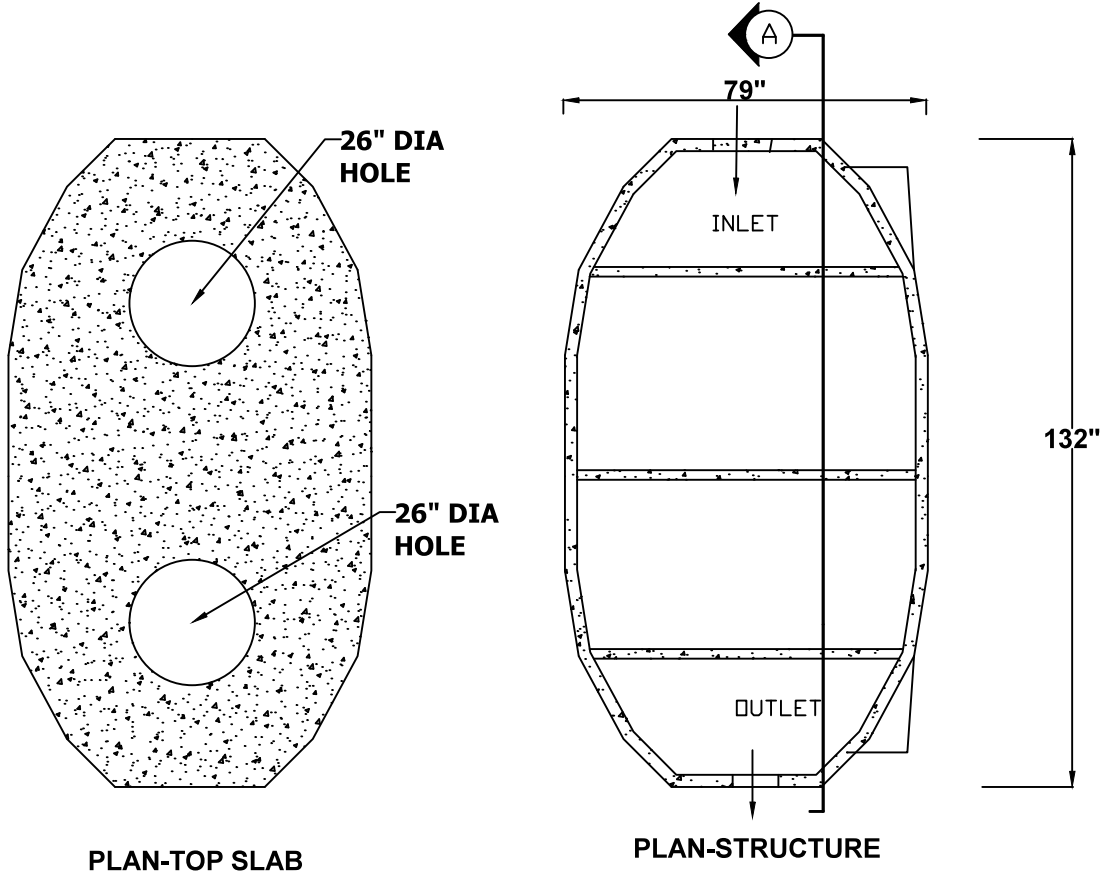


6" PIPE

1500 GAL INTERCEPTOR



DIG HOLE SIZE= 12' X 7'

REBAR PLACEMENT
 #5 @ 12" C/C EA. WAY TOP SLAB
 #3 BAR AROUND TOP
 6X6X10X10 WIRE, BOTTOM AND SIDES